

PARTS CATALOG

Series PLFY Ceiling Cassettes R410A

Indoor unit
[Model Name]

[Service Ref.]

PLFY-P15VFM-E1

PLFY-P15VFM-E1.TH

PLFY-P20VFM-E1

PLFY-P20VFM-E1.TH

PLFY-P25VFM-E1

PLFY-P25VFM-E1.TH

PLFY-P32VFM-E1

PLFY-P32VFM-E1.TH

PLFY-P40VFM-E1

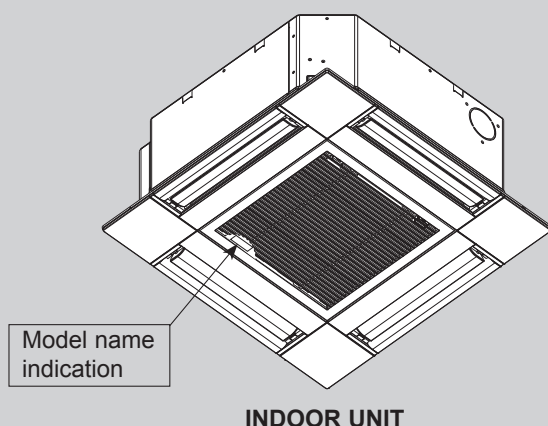
PLFY-P40VFM-E1.TH

PLFY-P50VFM-E1

PLFY-P50VFM-E1.TH

Note:

- RoHS compliant products have <G> mark on spec name plate.



CONTENTS

1. RoHS PARTS LIST.....2

SERVICE MANUAL (OCH617)

PANEL PARTS

SLP-2FA (Standard)

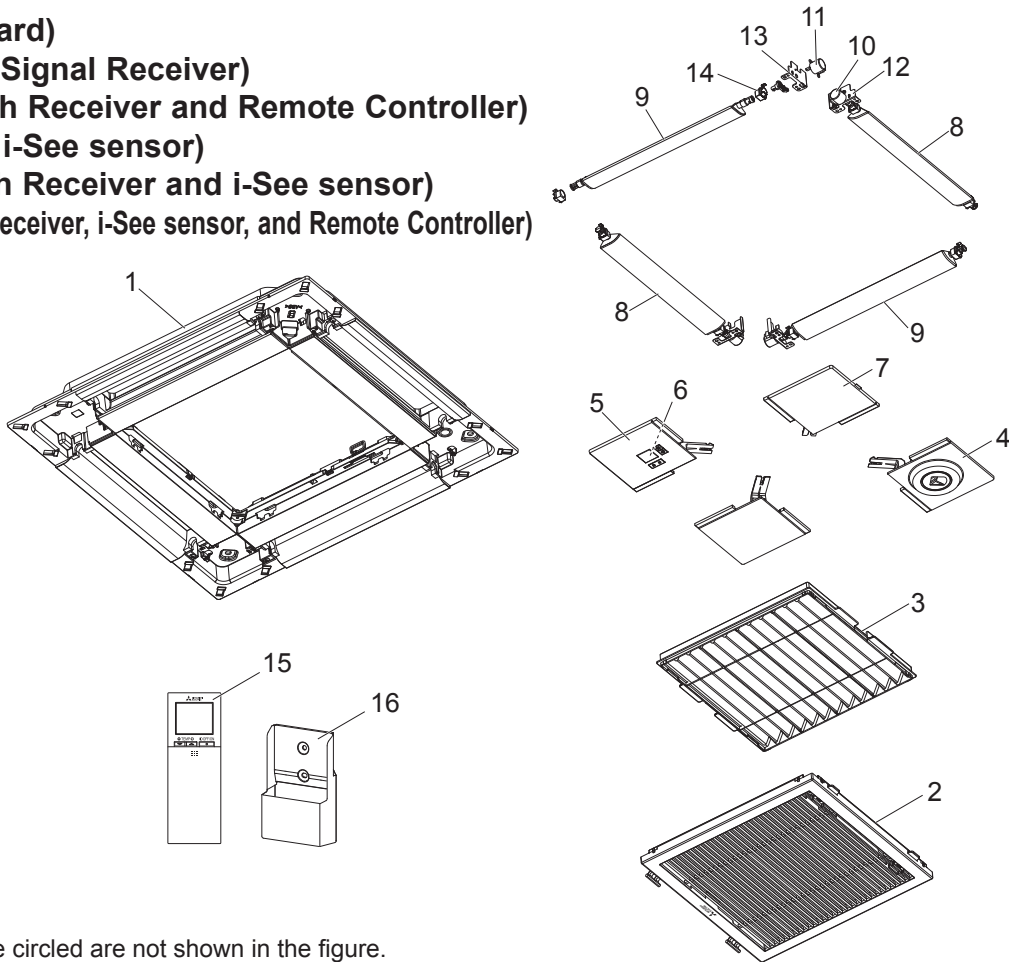
SLP-2FAL (with Signal Receiver)

SLP-2FALM (with Receiver and Remote Controller)

SLP-2FAE (with i-See sensor)

SLP-2FALE (with Receiver and i-See sensor)

SLP-2FALME (with Receiver, i-See sensor, and Remote Controller)



Parts numbers that are circled are not shown in the figure.

No.	RoHS	Parts No.	Parts Name	Specification	Q'ty/unit						Wiring Diagram Symbol
					SLP-2FA	SLP-2FAL	SLP-2FALM	SLP-2FAE	SLP-2FALE	SLP-2FALME	
1	G	E17 C26 003	AIR OUTLET GRILLE		1	1	1	1	1	1	
2	G	E17 C26 010	INTAKE GRILLE		1	1	1	1	1	1	
3	G	E17 C26 100	AIR FILTER		1	1	1	1	1	1	
4	G	E17 C29 975	CORNER PANEL (i-See sensor)					1	1	1	
5	G	E17 C28 975	CORNER PANEL (Signal Receiver)			1	1		1	1	
6	G	E17 C27 317	WIRELESS REMOTE CONTROLLER BOARD			1	1		1	1	W.B
7	G	E17 C26 975	CORNER PANEL	with safety strap	4	3	3	3	2	2	
8	G	E17 C26 037	AUTO VANE -1	GREEN	2	2	2	2	2	2	
9	G	E17 C27 037	AUTO VANE -2	BLUE	2	2	2	2	2	2	
10	G	E17 C26 303	VANE MOTOR-1	GREEN	2	2	2	2	2	2	
11	G	E17 C27 303	VANE MOTOR-2	BLUE	2	2	2	2	2	2	
12	G	E17 C26 946	COUPLING-1	GREEN	2	2	2	2	2	2	
13	G	E17 C27 946	COUPLING-2	BLUE	2	2	2	2	2	2	
14	G	E17 C26 044	VANE BUSH		8	8	8	8	8	8	
15	G	E17 D44 426	WIRELESS REMOTE CONTROLLER				1			1	
16	G	E17 D44 083	HOLDER				1			1	
17	G	E17 C26 033	WIRE HOOK		2	2	2	2	2	2	
18	G	E17 C28 087	JUNCTION CABLE (Signal Receiver)			1	1		1	1	
19	G	E17 C27 087	JUNCTION CABLE (i-See sensor)					1	1	1	

RoHS PARTS LIST

ELECTRICAL PARTS

PLFY-P15VFM-E1.TH

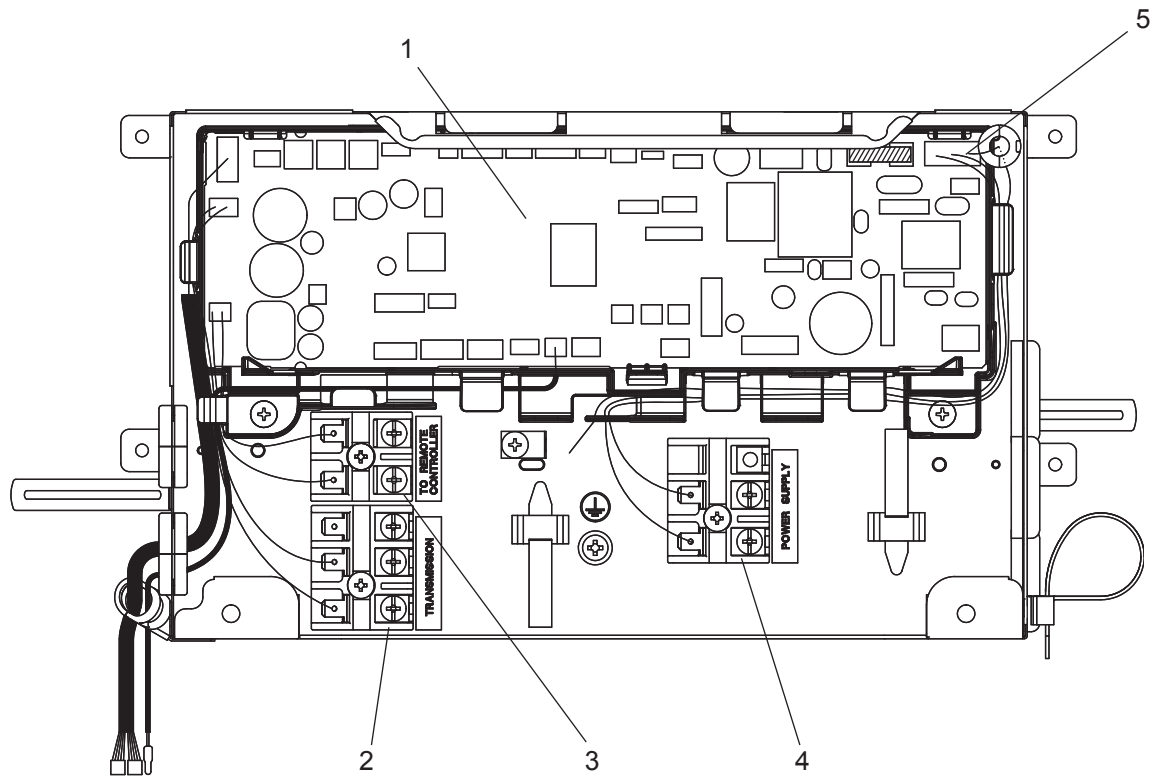
PLFY-P32VFM-E1.TH

PLFY-P20VFM-E1.TH

PLFY-P40VFM-E1.TH

PLFY-P25VFM-E1.TH

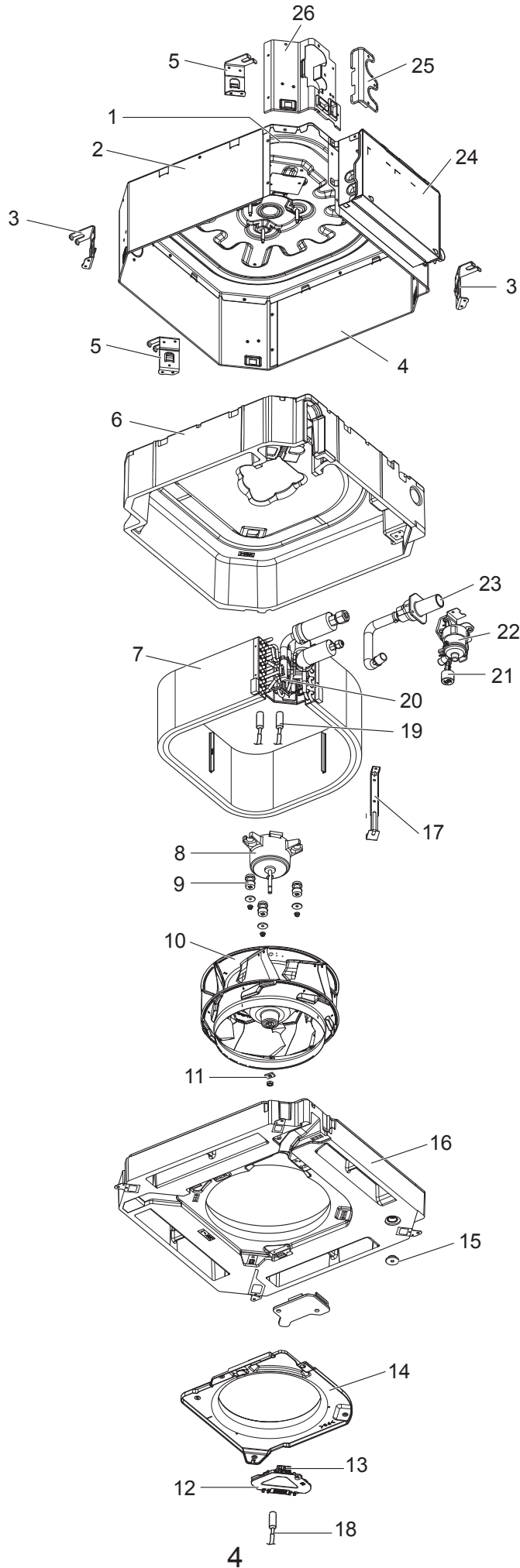
PLFY-P50VFM-E1.TH



No.	RoHS	Parts No.	Parts Name	Specification	Q'ty/unit						Wiring Diagram Symbol
					PLFY-P15VFM-E1.TH	PLFY-P20VFM-E1.TH	PLFY-P25VFM-E1.TH	PLFY-P32VFM-E1.TH	PLFY-P40VFM-E1.TH	PLFY-P50VFM-E1.TH	
1	G	E17 D23 447	INDOOR CONTROLLER BOARD		1	1	1	1	1	1	I.B
2	G	E17 154 375	TERMINAL BLOCK	3P(M1, M2, S)	1	1	1	1	1	1	TB5
3	G	E17 156 375	TERMINAL BLOCK	2P(1, 2)	1	1	1	1	1	1	TB15
4	G	E17 C20 375	TERMINAL BLOCK	2P(L, N)	1	1	1	1	1	1	TB2
5	G	E17 648 382	FUSE	6.30 A/ 250 FSL	1	1	1	1	1	1	F1

RoHS PARTS LIST

FUNCTIONAL PARTS
PLFY-P15VFM-E1.TH
PLFY-P20VFM-E1.TH
PLFY-P25VFM-E1.TH
PLFY-P32VFM-E1.TH
PLFY-P40VFM-E1.TH
PLFY-P50VFM-E1.TH



RoHS PARTS LIST

No.	RoHS	Parts No.	Parts Name	Specification	Q'ty/unit						Remarks (Drawing No.)	Wiring Diagram Symbol
					PLFY-P15VFM-E1.TH	PLFY-P20VFM-E1.TH	PLFY-P25VFM-E1.TH	PLFY-P32VFM-E1.TH	PLFY-P40VFM-E1.TH	PLFY-P50VFM-E1.TH		
1	G	E17 C12 290	BASE		1	1	1	1	1	1		
2	G	E17 C13 124	DRUM-B		1	1	1	1	1	1		
3	G	E17 C12 808	LEG-1		2	2	2	2	2	2		
4	G	E17 C12 124	DRUM-A		1	1	1	1	1	1		
5	G	E17 C12 809	LEG-2		2	2	2	2	2	2		
6	G	E17 C12 092	INNER COVER ASSY		1	1	1	1	1	1		
7	G	E17 C20 620	INDOOR HEAT EXCHANGER		1	1	1					
	G	E17 C23 620	INDOOR HEAT EXCHANGER					1	1	1		
8	G	E17 C12 300	INDOOR FAN MOTOR	ARW5202MS	1	1	1	1	1	1		MF
9	G	E17 C12 105	MOTOR MOUNT		3	3	3	3	3	3		
10	G	E17 C12 502	TURBO FAN		1	1	1	1	1	1		
11	G	E17 766 097	SPL WASHER		1	1	1	1	1	1		
12	G	E17 C12 091	CONNECTOR COVER		1	1	1	1	1	1		
13	G	E17 C12 090	CONNECTOR BOX		1	1	1	1	1	1		
14	G	E17 C12 509	BELL MOUTH		1	1	1	1	1	1		
15	G	E17 436 524	DRAIN PLUG		1	1	1	1	1	1		
16	G	E17 C12 700	DRAIN PAN		1	1	1	1	1	1		
17	G	E17 C12 648	COIL SUPPORT		1	1	1	1	1	1		
18	G	E17 C12 308	ROOM TEMP.THERMISTOR		1	1	1	1	1	1		TH21
19	G	E17 C12 307	PIPE TEMP. THERMISTOR/LIQUID/GAS		1	1	1	1	1	1		TH22,TH23
20	G	E17 C20 640	LINEAR EXPANSION VALVE		1	1	1	1	1	1		
21	G	E17 C12 145	FLOAT SWITCH ASSY		1	1	1	1	1	1		FS
22	G	E17 C12 355	DRAIN PUMP		1	1	1	1	1	1		DP
23	G	E17 C12 702	DRAIN HOSE		1	1	1	1	1	1		
24	G	E17 C12 088	CONTROL BOX COVER		1	1	1	1	1	1		
25	G	E17 C13 006	COVER (DRUM-U)		1	1	1	1	1	1		
26	G	E17 C12 006	COVER (DRUM)		1	1	1	1	1	1		

CITY MULTI™

MITSUBISHI ELECTRIC CORPORATION

HEAD OFFICE : TOKYO BLDG., 2-7-3, MARUNOUCHI, CHIYODA-KU TOKYO 100-8310, JAPAN